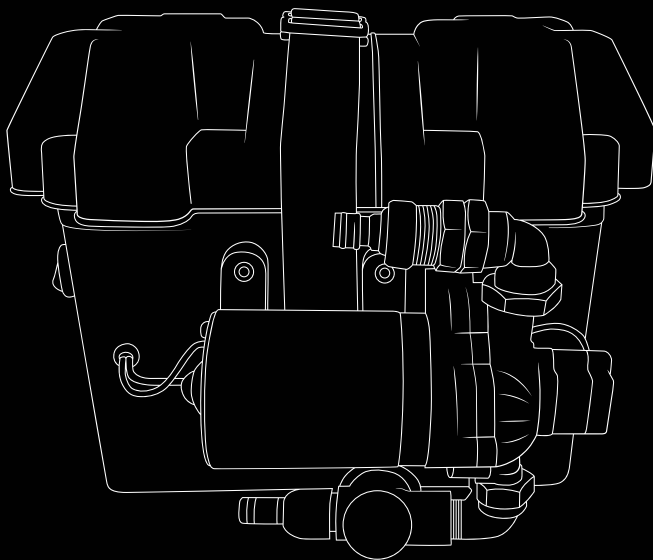


# **SOLAR POWERED WATER PUMP**

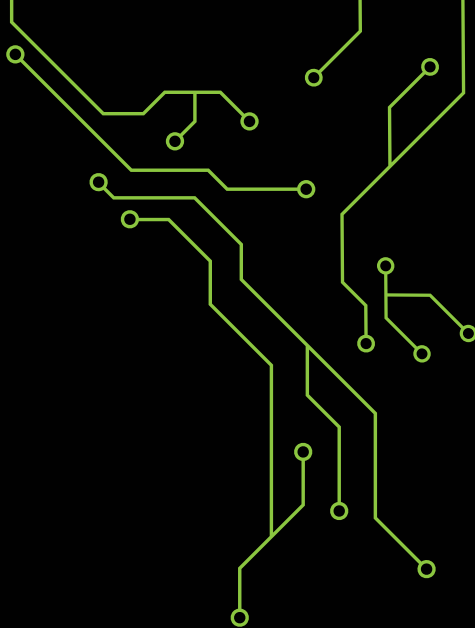
**USER MANUAL**

V1.0 2021



[www.on2itelectronics.co.nz](http://www.on2itelectronics.co.nz)

**ON2IT**  
ELECTRONICS



***FIX IT***  
***DESIGN IT***  
***INSTALL IT***

*Electronic Solutions*









# SOLAR CHARGED WATER PUMP

## USER MANUAL

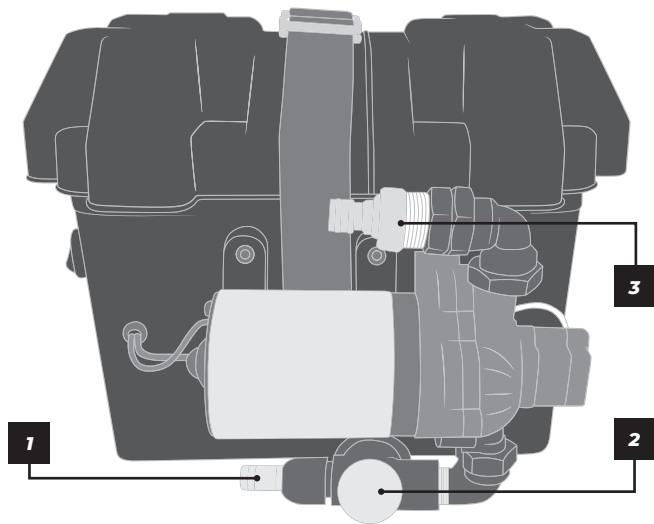
V1.0 2021

### WARNINGS

Please read and understand the information in this manual before installing this unit.

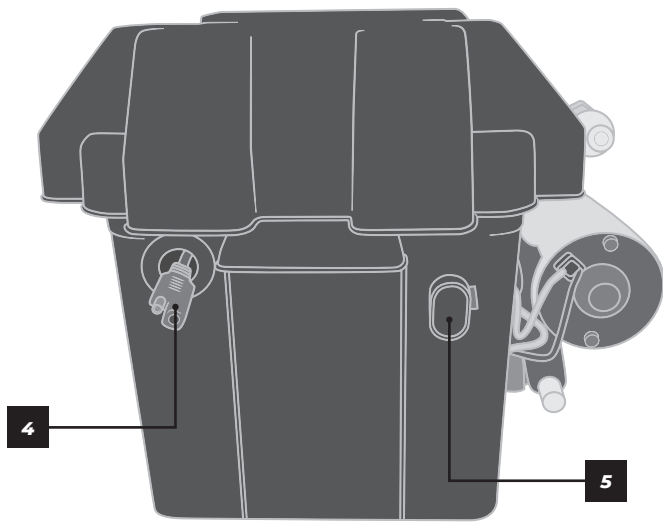
	Do not use if any internal parts are damaged.		Recycle product packaging as they are manufactured from recyclable materials.
	Do not immerse in water or other liquids.		Handle with care as internal parts are fragile.
	Failure to connect unit correctly could result in damage to the unit or systems connected to it.		We recommend installation is performed by an appropriately trained technician.

## DEVICE APPEARANCE

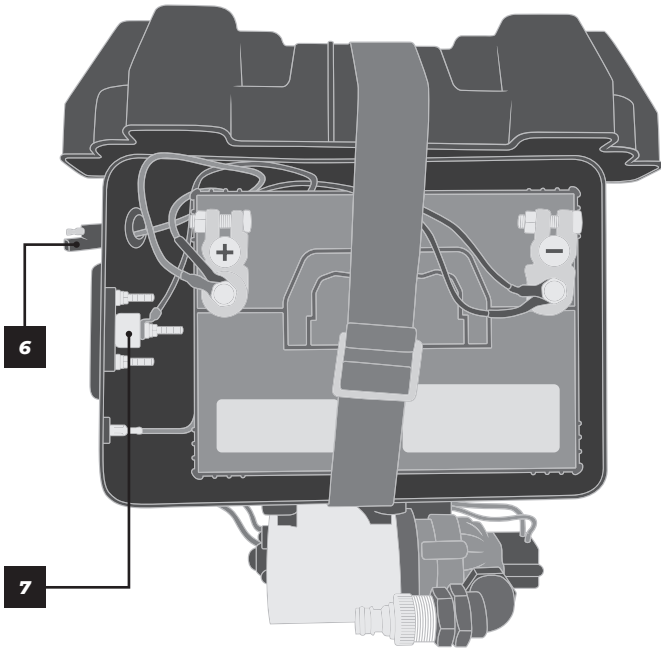


### FRONT

<b>1</b>	Water Intake
<b>2</b>	Filter
<b>3</b>	Water Outlet



<b>SIDE</b>	
<b>4</b>	Solar Connection
<b>5</b>	On/Off switch

**INTERNAL BATTERY**

<b>6</b>	Charger Input
<b>7</b>	Auto reset fuse

# LIMITED WARRANTY

Thank you for your purchase. Upon purchasing this product you have agreed to the following warranty documentation.

On2It electronics warrants that this product will

- i. Perform in the manner stated in the operating instructions and other documentation related to the product
- ii. That the product will be free from defects in materials and workmanship under normal use and service

**On2 It Electronics warranties this product for the period of 12 months from the date of purchase.**

## NO OTHER WARRANTIES

TO THE MAXIMUM EXTENT PERMITTED BY APPLICABLE LAW, THE COMPANY AND ITS SUPPLIERS DISCLAIM ALL OTHER WARRANTIES, EITHER EXPRESS OR IMPLIED, INCLUDING, BUT NOT LIMITED TO IMPLIED WARRANTIES OF MERCHANTABILITY AND FITNESS FOR A PARTICULAR PURPOSE, WITH REGARD TO THE PRODUCT AND ANY RELATED WRITTEN MATERIALS. THIS LIMITED WARRANTY GIVES CUSTOMER SPECIFIC LEGAL RIGHTS.

## NO LIABILITY FOR DAMAGES

TO THE MAXIMUM EXTENT PERMITTED BY APPLICABLE LAW, IN NO EVENT SHALL ON2IT ELECTRONICS OR ITS SUPPLIERS BE LIABLE FOR ANY DAMAGES WHATSOEVER (INCLUDING WITHOUT LIMITATION, SPECIAL, INCIDENTAL, CONSEQUENTIAL, OR INDIRECT DAMAGES FOR PERSONAL INJURY LOSS OF BUSINESS PROFITS, BUSINESS INTERRUPTION, OR ANY OTHER PECUNIARY LOSS) ARISING OUT OF THE USE OF OR INABILITY TO USE THIS PRODUCT, EVEN IF ON2IT ELECTRONICS HAS BEEN ADVISED OF THE POSSIBILITY OF SUCH DAMAGES. IN ANY CASE, ON2IT ELECTRONICS AND ITS SUPPLIERS' ENTIRE LIABILITY UNDER ANY PROVISION OF THIS WARRANTY SHALL BE LIMITED TO THE AMOUNT PAID FOR THE PRODUCT BY THE CUSTOMER.

## **CUSTOMER REMEDIES**

On2It Electronics and its supplier's entire liability and customer's exclusive remedy shall be, at On2It Electronics option, either:

- i. Return of the price paid for the product
- ii. Repair or replacement of the product that does not meet this Limited Warranty and which is returned to On2It Electronics.

This limited warranty is void if failure of the product has resulted from accident, abuse, misapplication, water damage or incorrect installation of the product. Any replacement will be warranted for the remainder of the original warranty or 30 days, whichever is longer.

## **GENERAL RECCOMENDATIONS**

### **Before use:**

Remove cardboard protection pieces, protective film and adhesive labels from accessories.

Check the appliance for any transport damage.

### **During use:**

To avoid any damage do not place any weights on the appliance.

Do not expose the appliance to atmospheric agents

*Figures and illustrations in this User Manual are provided for reference only and may differ from actual product appearance. Product design and specifications may be changed without notice.*



# **SPECIFICATIONS**

<b>POWER SUPPLY</b>	
Fuse	10A Self Resetting
Battery	12V Sealed Lead Acid battery (Automotive)
Solar	12V 20W dedicated trickle charger

<b>PUMP SPECIFICATIONS</b>	
Open Flow	13.2LPM/3.5GPM
Pressure Cut-out	45psi/3.1bar
Current Draw	5A - MAX 10A
Voltage	12V

<b>HOSE SPECIFICATIONS</b>	
Intake	15mm
Outlet	20mm or Gardina style quick connect
Filter	50 MESH strainer - Washable

## **FEATURES**

- ▶ Pump is self priming
- ▶ Pump can be run dry
- ▶ Automatic pressure switch control
- ▶ Solar trickle charger to keep battery charged
- ▶ Self contained pump and battery unit for portability

# **TROUBLESHOOTING**

## ***PULSATING FLOW – PUMP CYCLES ON AND OFF***

- ▶ Check for kinks in the lines
- ▶ Plumbing lines or fittings maybe too small
- ▶ Clean filters
- ▶ Check fittings are tight – there may be an air leak

## ***FAILURE TO PRIME BUT MOTOR OPERATES – NO PUMP DISCHARGE***

- ▶ Restricted intake or outlet line
- ▶ Air leak in intake line
- ▶ Start up current is too low to start the motor – charge battery
- ▶ Debris clogging pump valves
- ▶ Punctured pump diaphragm
- ▶ Crack in pump housing

## ***MOTOR FAILS TO TURN ON***

- ▶ Flat battery – Charge battery
- ▶ Loose wiring – Tighten as needed
- ▶ Circuit breaker has tripped – cycle power switch
- ▶ Failed pressure switch

### ***PUMP FAILS TO STOP AFTER ALL VALVES ARE CLOSED***

- ▶ Output line leaking
- ▶ Clogged valves in pump
- ▶ Failed pressure switch
- ▶ Punctured diaphragm

### ***LOW FLOW AND PRESSURE***

- ▶ Blocked or dirty intake filter - Clean
- ▶ Air leak in pump intake – Check fittings are sealed and tight
- ▶ Debris inside pump or pipe work
- ▶ Punctured diaphragm

### ***NOISY***

- ▶ Check mounting feet are not compressed too much but are tight
- ▶ Check for loose screws on the pump
- ▶ If pump is plumbed with rigid piping to the intake and/or outlet this will transmit noise easily

## SETUP

- ▶ Intake and output hose must be a minimum of 10mm (3/8") reinforced hose.
- ▶ Turn the pump off when not used for extended periods of time or the inlet supply is empty.
- ▶ Flexible water hose is recommended to avoid pump noise and vibration.

## CONTACTS

We are happy to make changes to the module's design to ensure that it best suits your needs and we welcome all feedback about the module.

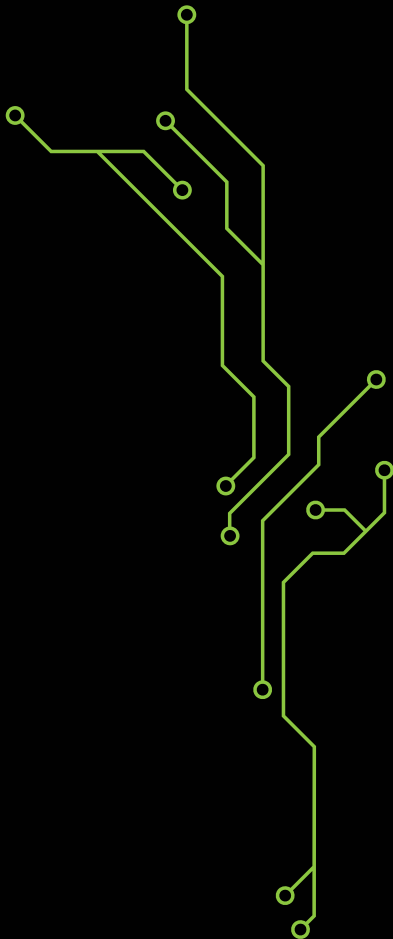
 469B State Highway 10  
RD2, Kaikohe  
Northland 0472

 027 254 3914

 [admin@on2itelectronics.co.nz](mailto:admin@on2itelectronics.co.nz)

 [www.on2itelectronics.co.nz](http://www.on2itelectronics.co.nz)

Find us on Facebook [@on2itelectronics](https://www.facebook.com/on2itelectronics) 





O2I - SCWP | [admin@on2itelectronics.co.nz](mailto:admin@on2itelectronics.co.nz)